

WiFi Cube Network Camera With Built in Mic & Speaker

Model #: IPC-ECB2MPPIR-W

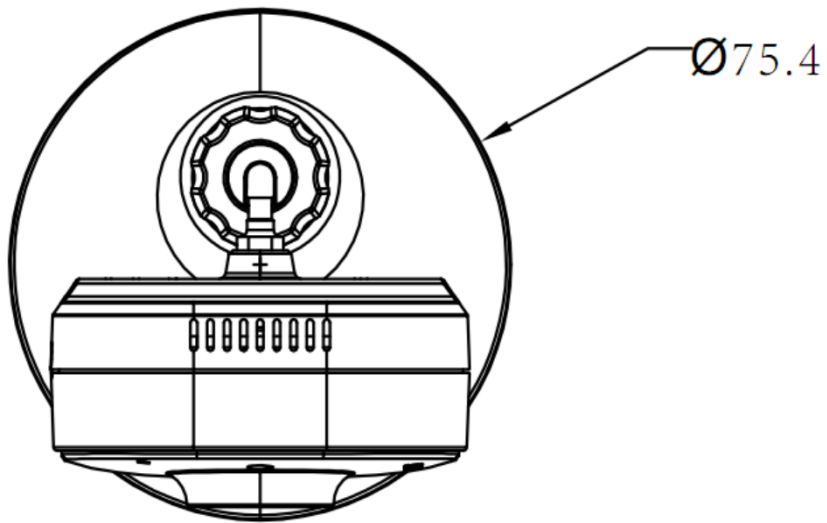
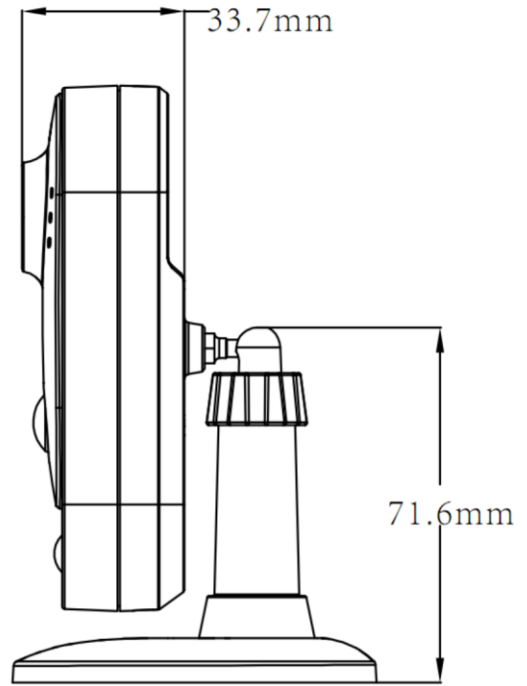
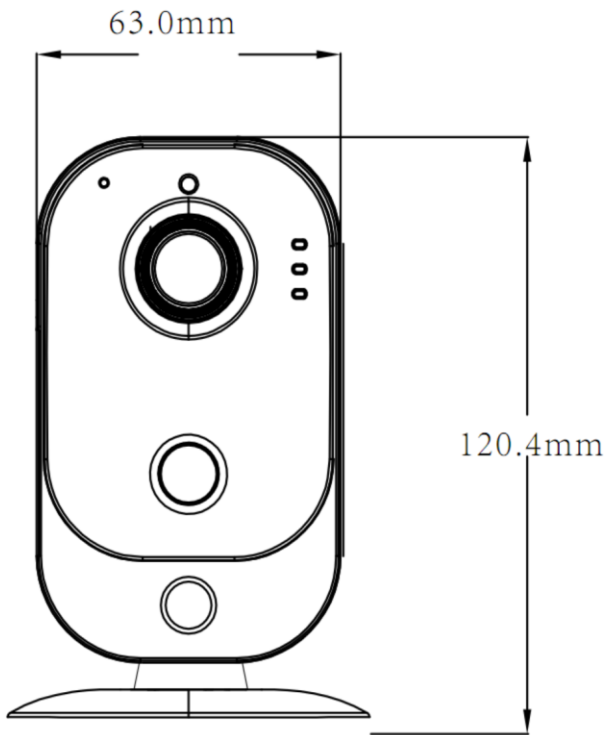


Features

- 2MP high resolution
- HD real-time video
- PIR detection
- IR LEDs up to 40 feet
- DWDR & 3D DNR & BLC
- PoE, WiFi
- SD/SDHC/SDXC card slot up to 128GB
- Built in Mic & Speaker

Technical Specifications

Model No.	IPC-ECB2MPPIR-W
Camera	
Image sensor	1/2.7" progressive scan CMOS
Min. illumination	0.07Lux @(F1.2,AGC ON) ,0 Lux with IR
Shutter time	1/25(1/30) s to 1/100,000 s
Lens	2.8 mm @F1.8, angle of view: 103°
Lens mount	M12
Day & night	IR cut filter with auto switch
IR Range	1 Dot IR, Up to 40 feet
Digital noise reduction	3D DNR
Wide dynamic range	Digital WDR
Compression Standard	
Video compression	H.265 H.264
H.264 codec profile	N/A
Bit rate	32 Kbps ~ 16 Mbps
Image	
Max. Image Resolution	1920x1080
Frame rate	30fps (1920 × 1080), 30fps (1280 × 720)
Image settings	Saturation, brightness, contrast, sharpness adjustable through client software or web browser
Network	
Network storage	NAS
Alarm trigger	Motion detection, tampering alarm, network disconnect, IP address conflict, storage exception
Protocols	TCP/IP, HTTP, DHCP, DNS, DDNS, RTP, RTSP, PPPoE, SMTP, NTP, SNMP, HTTPS, FTP, 802.1x, Qos (SIP, SRTP, IPv6 optional)
Interoperability	ONVIF, PSIA, CGI
Security	User Authentication, watermark
Interface	
Communication interface	1 RJ45 10 M / 100 M Ethernet interface
Web Browser	IE 7, IE 8, IE 9, Chrome 8 +, Firefox 3.5 +, Safari 5 +
Audio	Internal microphone and speaker
On-board storage	Built-in SD card slot, up to 128 GB
Mic & Speaker	Built in
PIR Sensor	Built in
General	
Operating conditions	(14°F ~ 140 °F) humidity 90% or less (non-condensing)
Power supply	5 VDC ± 10% , PoE (802.3af)
Power consumption	Max. 5W
Dimension	66×91.5×131.3(2.60"×3.60" ×5.17")
Weight	.88 lbs



For more information please contact a DSS Sales Representative

Toll Free: 1.888.467.8812 · Fax: 1.609.431.0932 · Email: sales@dss-cctv.com

www.dss-cctv.com